



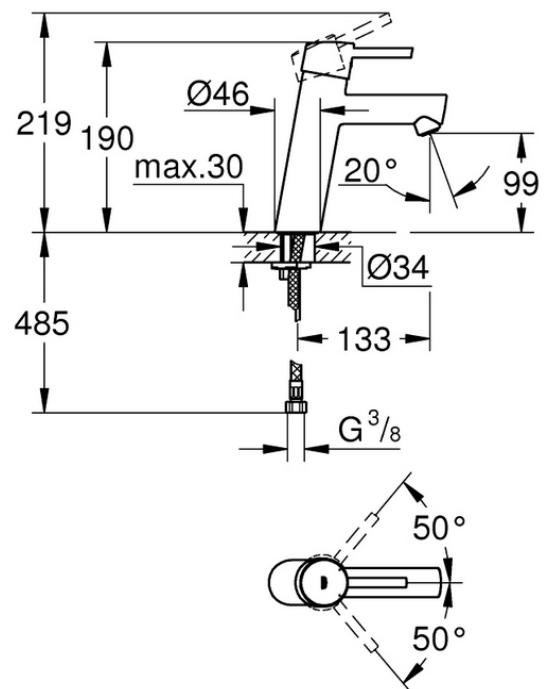
PROJECT		REF		REV	ITEM CODE	
LOCATION		DATE			PAGE	

## SANITARY WARE SPECIFICATION SHEET

Item Descriptions	GROHE (Germany) "Concetto" Chrome plated single-lever basin mixer 1/2" M-Size with temperature limiter; nominated flow rate <b>4.7 L/min</b> in WELS Grade 1; Registration No. TM 17-0186	<p>Illustration/ Drawing</p>  <div style="display: flex; flex-direction: column; align-items: center;">      </div>
Dimensions	L133 x W46 x H219 mm	
Model	23451001	
Finish	Chrome Plated	
Country of origin	Thailand	
Manufacturer	GROHE AG	
Supplier	Acme Sanitary Ware Co. Ltd Mr. Eric Wong/ Mr. Don Yuen	
Contact Tel/Fax E-mail Website	(852) 2388-7171 / (852) 2710-8012 acme@acmesanitary.com.hk www.acmesanitary.com.hk	

### "Concetto" Basin mixer 1/2" M-Size

- monobloc installation
- metal lever
- 28 mm ceramic cartridge with **GROHE SilkMove**
- with temperature limiter
- **GROHE StarLight** chrome finish
- **GROHE EcoJoy** SpeedClean mousseur 5.7 l/min
- **GROHE QuickFix** rapid installation system
- smooth body
- flexible connection hoses



Note YouTube <sup>HK</sup> ([Grohe 23451001](https://www.youtube.com/watch?v=ILNIPeZicW4)) <https://www.youtube.com/watch?v=ILNIPeZicW4>

\* All information of the above is for the reference only. No prior notice is made if any changes.



PROJECT		REF		REV	ITEM CODE	
LOCATION		DATE			PAGE	

## SANITARY WARE SPECIFICATION SHEET

**GROHE StarLight<sup>®</sup> Chrome**

**GROHE PVD**  
10x more scratch resistance  
3x more surface hardness

Nickel | Brass | Nickel | Chrome

**GROHE SilkMove cartridge technology for smooth handling**

This premium tap comes with a continuously variable water temperature and volume adjustment technology, ensuring effortless lever operation even after years of use.

**Easy to clean thanks to the GROHE StarLight chrome coating**

Just wipe the tap down with a dry cloth – the ultra smooth surface finish is scratch resistant and ensures a lasting luminous sheen. You'll save plenty of time cleaning while your tap always looks shiny and new.

**GROHE EcoJoy with water-saving function for reduced consumption**

GROHE EcoJoy reduces water consumption by up to 50% without compromising on performance. Whenever you turn on your tap, you will enjoy a full jet of water while saving money nonetheless.

**GROHE QuickFix Plus quick and easy installation in a few simple steps**

Save time on the installation of your tap with GROHE QuickFix Plus. Consisting of fewer parts, our new system makes the installation process quicker and easier than ever.

**GROHE surface hardness**

x3 Chrome PVD

**GROHE scratch resistance**

x10 Chrome PVD

Pos.-nr.	Prod. description	Order-nr.
1	Lever	46753000
2	Fitting ring	46715000
3	Cartridge	46580000
4	Mousseur	13935000
5	Shank fastening assembly	46249000
6	Mounting wrench	19017000*
7	Base plate	48165000*

\* Optional accessories

**Note:**

\* All information of the above is for the reference only. No prior notice is made if any changes.

註冊號碼 (Registration No.): TM 17-0186



自願參與用水效益標籤計劃 - 水龍頭  
Voluntary Water Efficiency Labelling Scheme - Water Taps




茲證明  
This is to certify that

將下列水龍頭在本計劃內註冊：  
has registered the following water tap under this scheme :

牌子 / Brand	:	GROHE
型號 / Model	:	23451001
種類 / Type	:	Mixing
原產地 / Country or Region Origin	:	Thailand

在用水效益標籤上展示的標誌

*Symbolic Presentation on the Water Efficiency Label* : 

滴水點

*Water droplet(s)*

用水效益級別

*Water Efficiency Grade* : 1

耗水量

*Water Consumption* : 4.7

公升/分鐘

*litres/minute*

簽發日期: 8 November 2017  
Date of Issue:



水務署  
Water Supplies Department



水務署署長(周世威代行)  
for Director of Water Supplies